

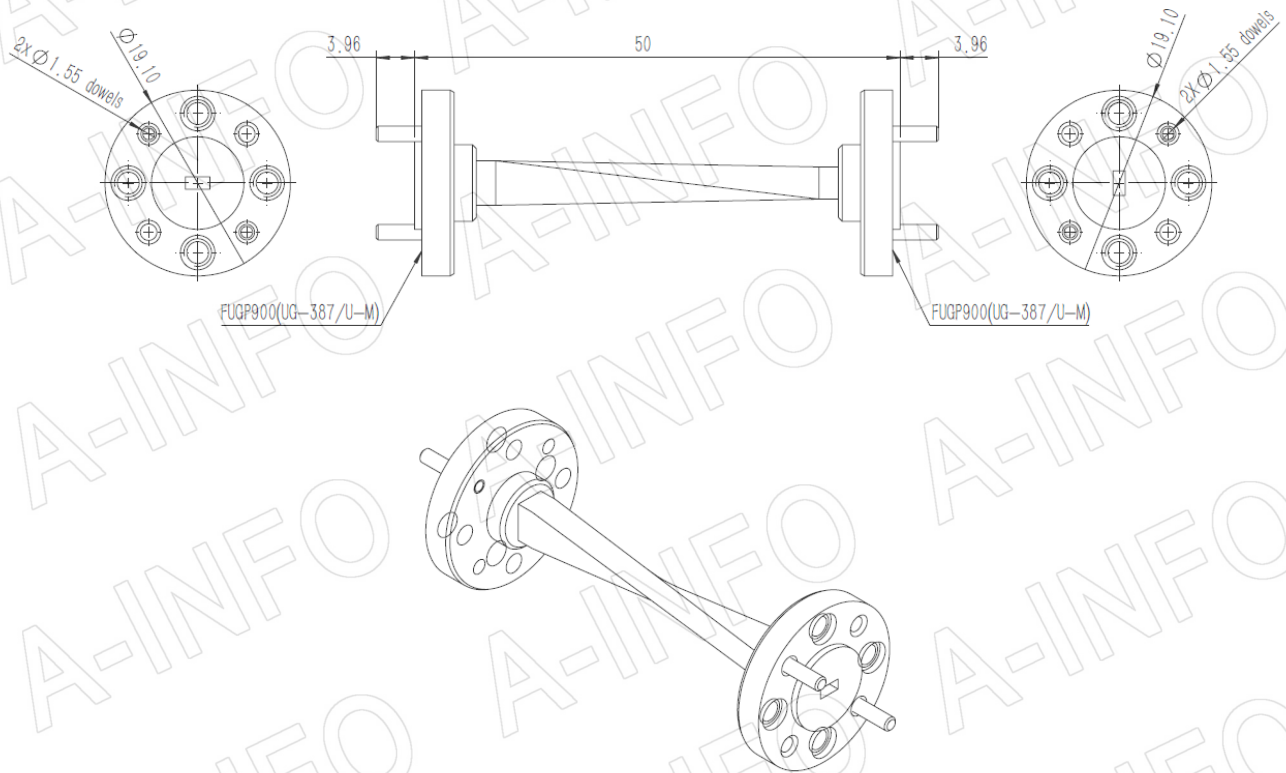
For reference only. See data sheet for the detailed specifications.

## Technical Specification



EIA WR	WR10
Frequency Range(GHz)	75.0 – 110.0
Twist Type	Right-Handed
Twist Degree(deg)	90
Insertion Loss(dB)	0.7 Max.
VSWR	1.15:1 Max.
Flange	FUGP900(UG-387/U-M)
Material	Cu
Size(mm)	50 x 19.1 x 19.1
Net Weight(Kg)	0.02 Around

## Outline Drawing (Size: mm)



AINFO Inc.

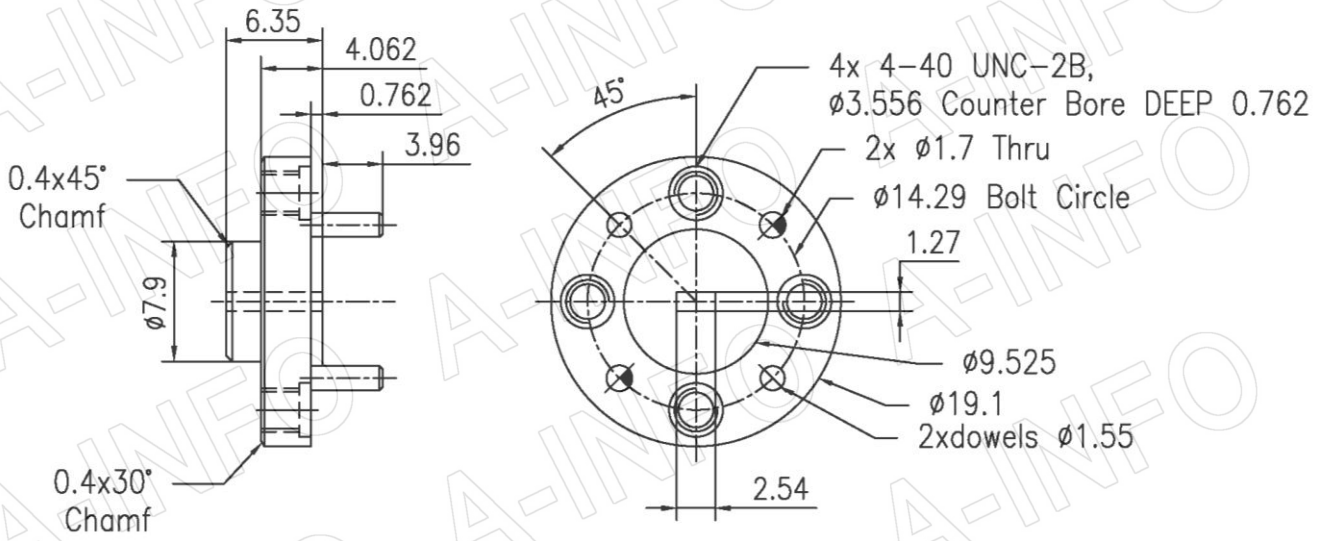
Page 1 of 3

China(Beijing): Tel: (+86) 10-6266-7326,  
China(Chengdu): Tel: (+86) 28-8519-2786,  
USA: Tel: (+1) 949-639-9688,

(+86) 10-6266-7327 Fax: (+86) 10-6266-7379  
(+86) 28-8519-3044 Fax: (+86) 28-8519-3068  
(+1) 949-639-9608 Fax: (+1) 949-639-9670

Website: [www.ainfoinc.com](http://www.ainfoinc.com)  
Email: [sales@ainfoinc.com](mailto:sales@ainfoinc.com)

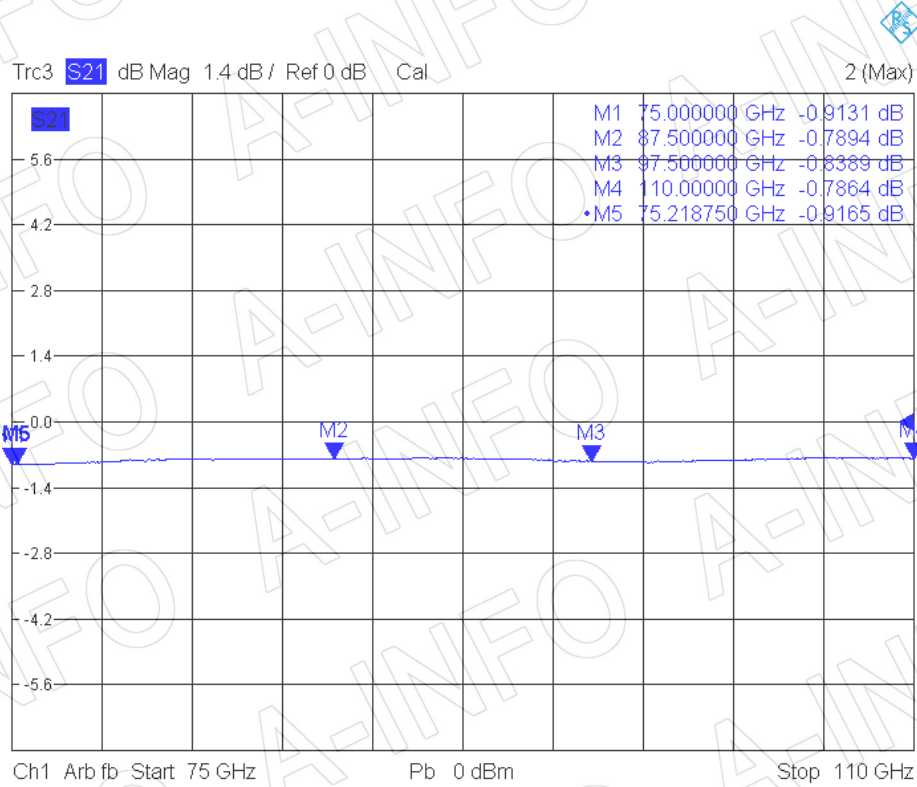
## Flange Drawing (Size: mm)



FUGP900  
(equivalent to UG-387/U-M)

## Test Results

I.L. (Test with two Waveguides back to back)



## VSWR

